

MEADOW BROOK

That August, 1979 Chrysler Chairman Lee A. Iacocca presided as Honorary Chairman of the first Meadow Brook Concours d'Elegance. An outstanding collection of automobiles was assembled on the rolling lawns of Meadow Brook Hall, in addition to the most distinguished group of automobile judges gathered for any concours. The Meadow Brook experience was underway.

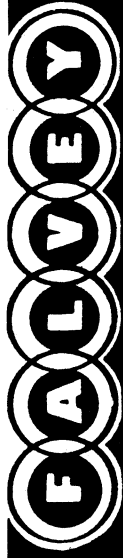
There have been several changes to the Meadow Brook format over the years. A Sports Car class was added in 1982, as was the concept of a featured marque. This year the honored marque is the Ford

Motor Company. In 1983, post-war convertibles were invited, the total number of entries was increased to 150, and the Invitational Automotive Art Exhibit became an integral part of the event.

What has remained unchanged at Meadow Brook is the extraordinary quality of the automobiles fielded for the Concours. The initial idea of a meet by invitation only and judging based on style and grace have combined to make the Meadow Brook experience a thrilling and memorable one.

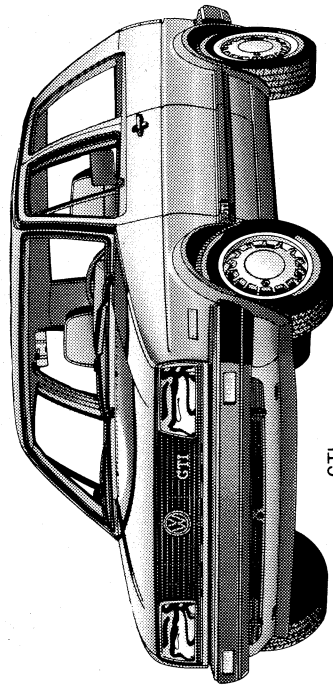


HISTORIC RACES



VOLKSWAGON • SAAB • JAGUAR • TOYOTA

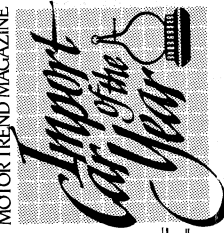
For the Thrill of It!



GTI

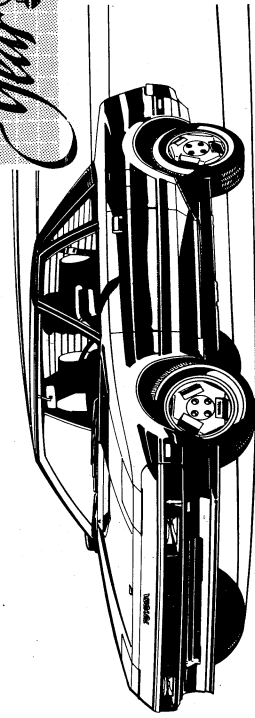
The new Volkswagen GTI was designed to perform on Europe's high-speed autobahns — just imagine its performance on American highways. Experience the GTI thrill with a test drive today!

MOTOR TREND MAGAZINE



\$199.00 A MONTH

48 MONTH LEASE
TAXES, TITLE, DESTINATION
AND OPTIONS EXTRA



TOYOTA MR2